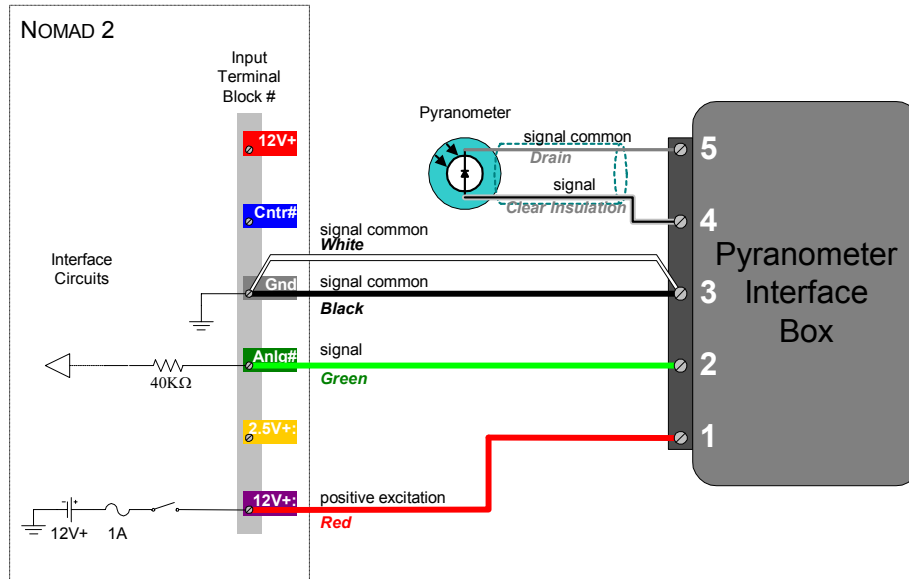


## USING THE LICOR 200SZ PYRANOMETER WITH NOMAD 2

### Mounting and Wiring

Cut the sensor cable to the desired length. Strip the insulation from each individual cable wire back about 6mm (1/4"). The pyranometer comes pre-wired to the interface box. Wire the interface box to the NOMAD 2 data logger as shown below.



### Configuring in Nomad Desktop

You can type "LiCor Pyranometer" over Name: Insolation if you choose. Be sure to select Function: Sample if you wire to **12V+M** (switched power).

**Device Information**

Type:

Name:  Serial Number:

Units:  Slope:  Offset:

Full Range:  0 to 2.5V  0 to 5.0V

**Track Information**

	Function	Interval
<input type="button" value="OK?"/>	<input type="text" value="Sample"/>	<input type="text" value="-inactive-"/>
		<div style="background-color: #e0e0e0; padding: 2px;">-inactive-</div> <div style="padding: 2px;">1 minute</div> <div style="padding: 2px;">10 minutes</div> <div style="padding: 2px;">Hourly</div> <div style="padding: 2px;">Daily</div>