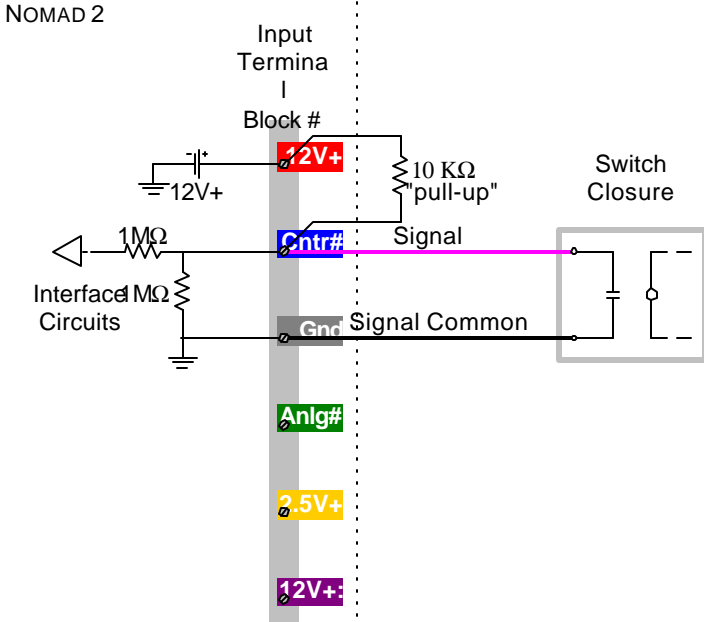


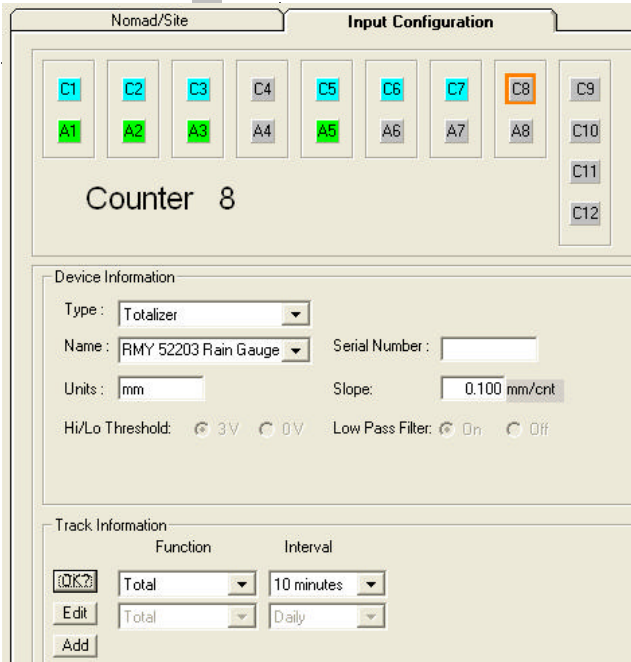
Nomad 2 Interface to Tipping Bucket Rain Gauges: RM Young 52203, NovaLynx 260-2501-A (supplied by NRG)



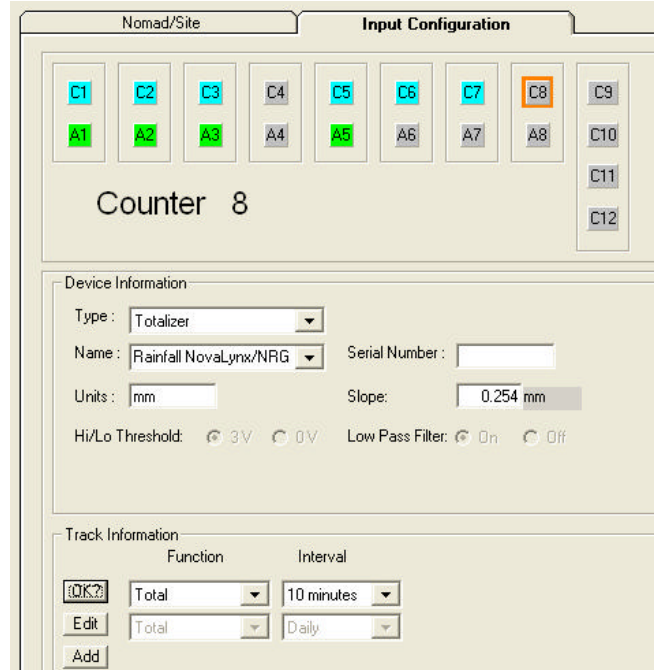
Wiring Notes:

- These devices use a magnet-activated reed switch which requires a pull-up resistor to provide an output pulse readable by Nomad.
- Pulse must be > 3 volts so 12 Volt excitation is used.
- Use 10 K Ohm resistor as shown between Counter Input and 12 V+.

SCALING:	mm	inches
	per pulse	per pulse
RMY52203	0.1	0.00394
NovaLynx 260-2501-A	0.254	0.01




RM Young 52203, mm



NovaLynx / NRG, mm

Configuration Notes:

- For device type select "Totalizer". For name select Rainfall or (optionally) type in the model of the device you are using.
- Typical units are inches or mm per bucket tip. These are labels - if you wish to use mm or other units type them in the configuration window.
- Select the correct scaling in accordance with the table above or other as appropriate.
- Add the data totalizing/recording interval you need - typical are 10-min and daily.

 <p>Second Wind Inc. 366 Summer Street Somerville, MA 02144</p>	Title: <h2>Nomad 2 Wiring and Configs</h2>		File name: <h2>New_Sensors.vsd</h2>	
	Page name: <h3>Tippping Bucket Rain Gauges</h3>	Last Edit Date: February 1, 2010	Revision: A	Drawn by: kec