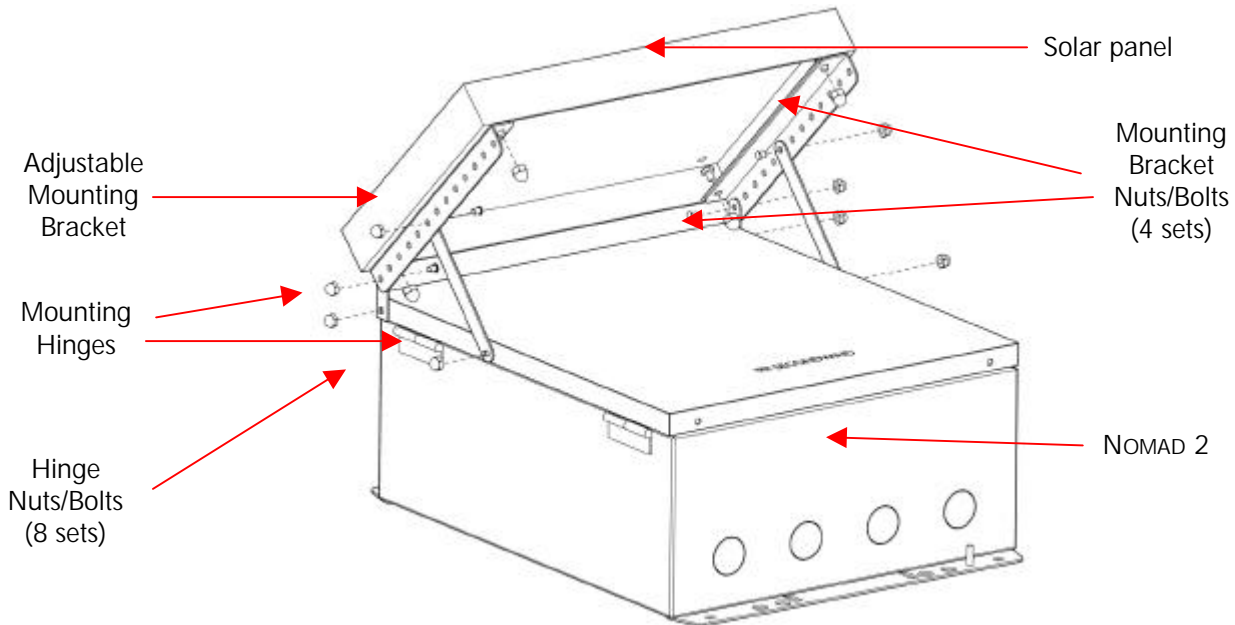
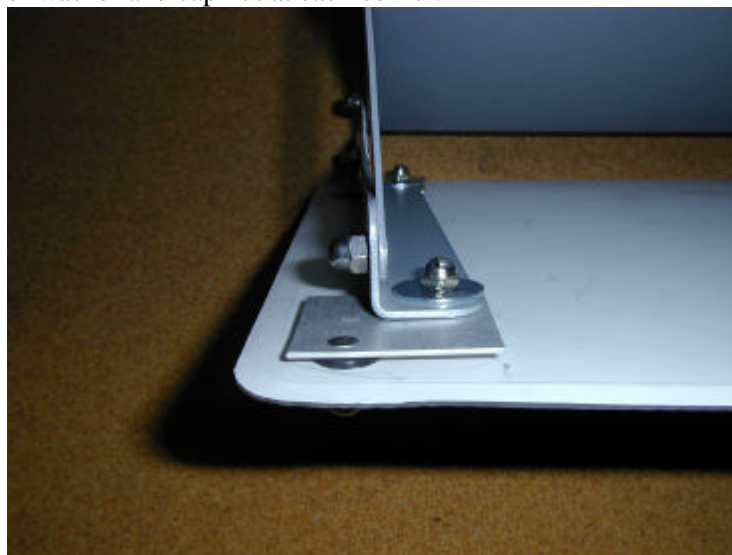


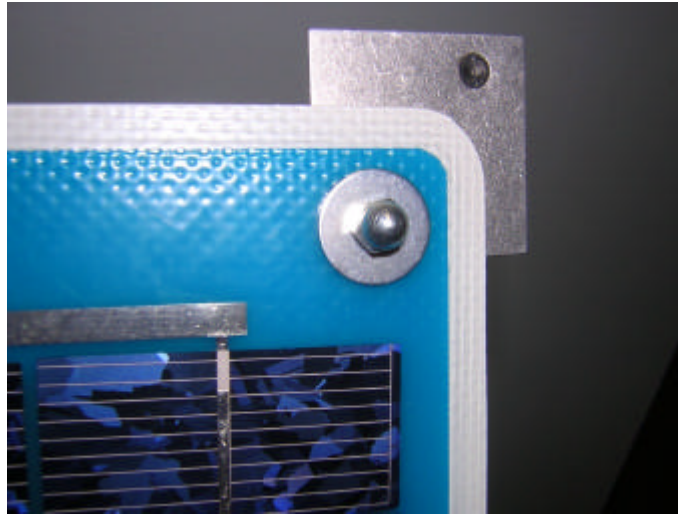
Mounting the New Style Solar Panel to The Nomad 2

New Style 5-Watt solar panels are now supplied with four mounting adapters that are bolted to the adjustable mounting brackets described in Part A3.6.2 of the Nomad 2 manual. The installation diagram for the mounting brackets appears below.



To install the new style panel, first install the mounting brackets as shown above. Then install one adapter at each corner as shown below using a washer and cap nut. To mount the bracket to the solar panel, remove the rubber bushings and install another washer and cap nut at each corner.





The mounted solar panel appears below. For secure mounting, remove and discard the rubber bushings and install a large diameter (“fender”) washer as shown in the detail photo above.



Revised on September 5, 2006 by KEC